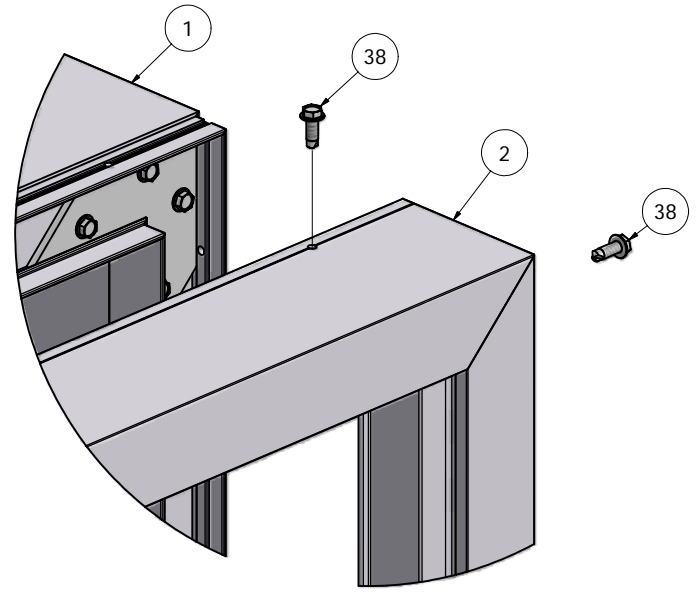
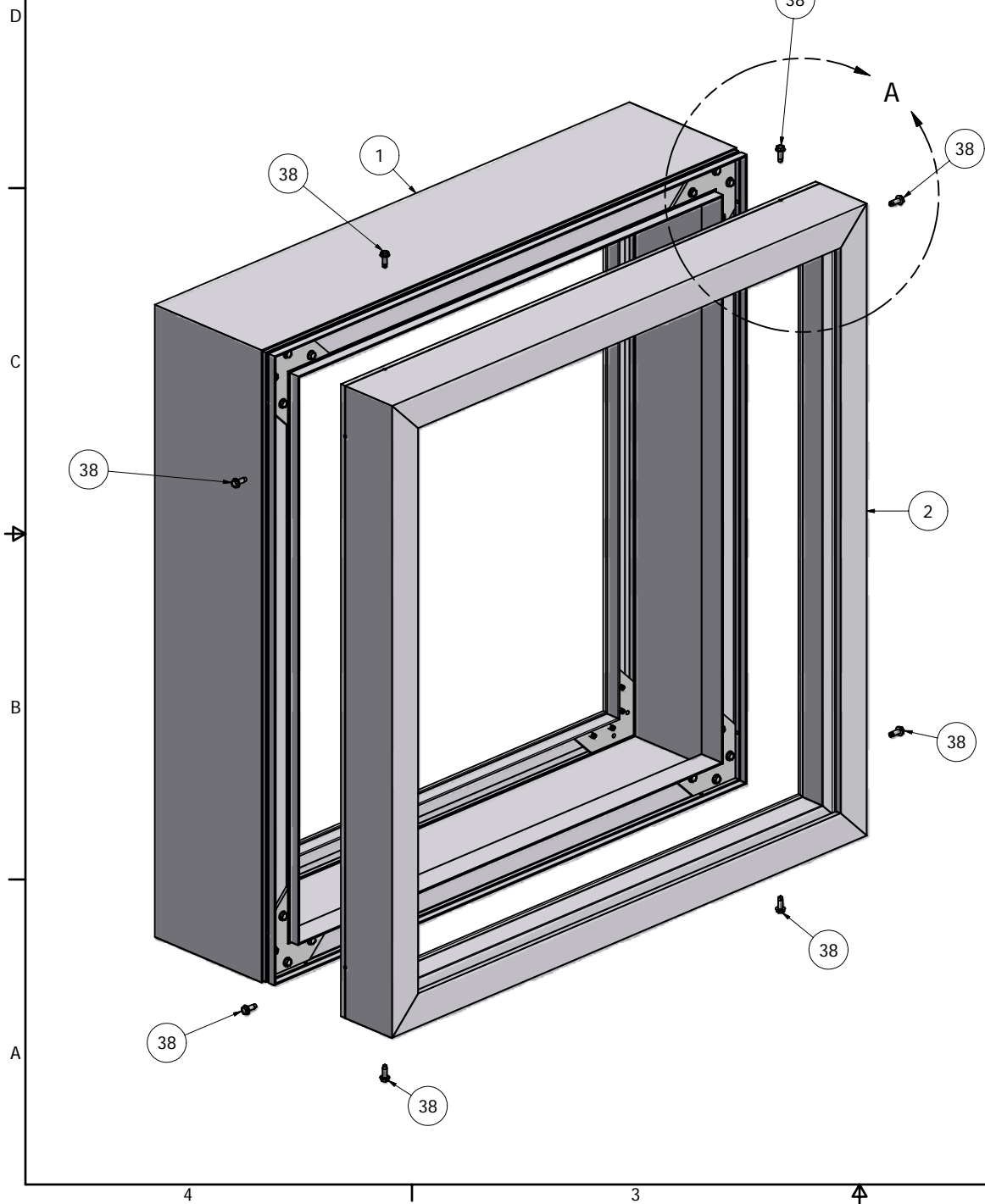


Parts List			
ITEM	PART #	DESCRIPTION	NOTES
1	K2034	Single Face Filler	Assembly
2	K2058	Extended Econo Molding	Assembly
38	5217	Extended Econo Molding Screw	Self Drilling/Tapping

Ship To:
Order Number:

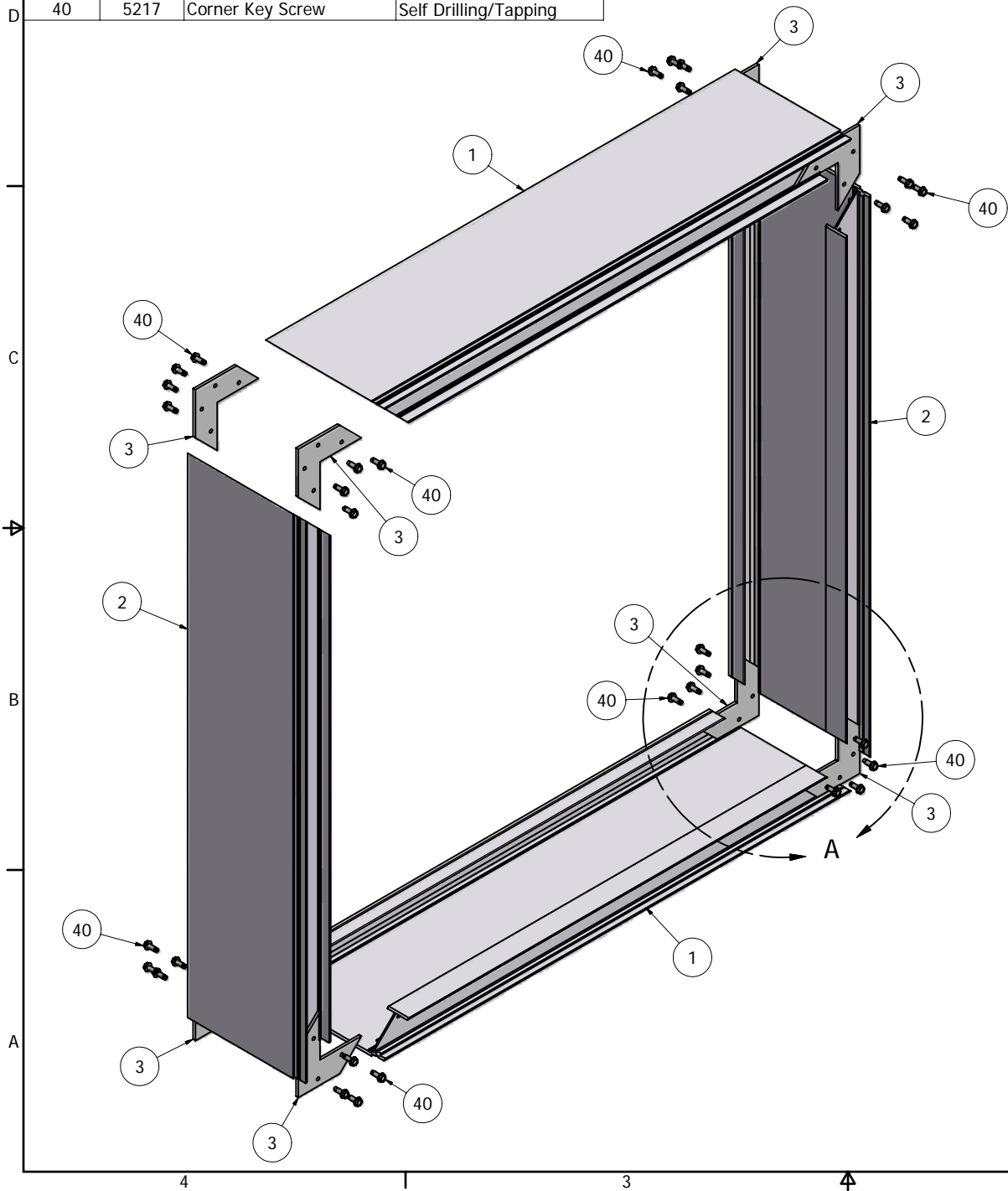


DETAIL A

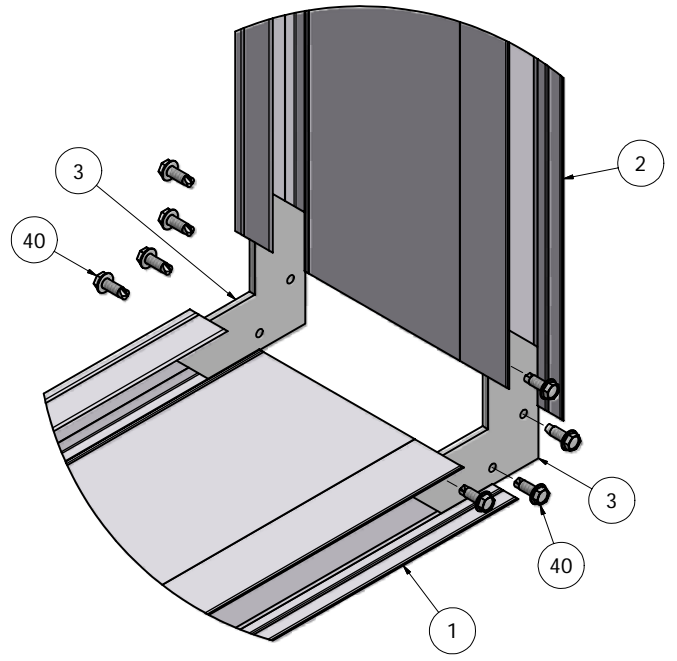
NOTE: PRE-CUT KITS ARE NOT PRE-DRILLED.
(Holes shown in this drawing are for reference only.
Drilling of pilot holes are to be done by fabricator.)

THIS DRAWING WAS CREATED AT NO CHARGE TO ASSIST YOU IN VISUALIZING OUR PROPOSAL. THE DRAWING HEREIN IS THE PROPERTY OF SIGNCOMP. PERMISSION TO COPY OR REVISE THIS DRAWING OR TO USE THIS DRAWING FOR PRODUCTION IS STRICTLY PROHIBITED AND CAN ONLY BE COPIED, REVISED OR USED FOR PRODUCTION WITH THE EXPRESSED WRITTEN PERMISSION OF SIGNCOMP.			
DRAWN	12/18/2008	SignComp	
Steve			
CHECKED			
QA			
MFG			
APPROVED		TITLE	
		Single Face Filler with Extended Econo Molding - Assembly	
		SIZE	DWG NO
		C	K2034/58
		SCALE	REV
			SHEET 1 of 1

Parts List			
ITEM	PART #	DESCRIPTION	NOTES
1	2034	Single Face Filler	Top & Bottom
2	2034	Single Face Filler	Sides
3	5210	Corner Key	Pre-punched
40	5217	Corner Key Screw	Self Drilling/Tapping



Ship To:
Order Number:



DETAIL A

NOTE: PRE-CUT KITS ARE NOT PRE-DRILLED.
(Holes shown in this drawing are for reference only.
Drilling of pilot holes are to be done by fabricator.)

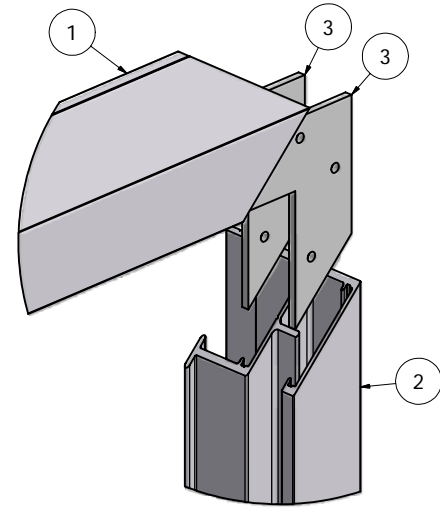
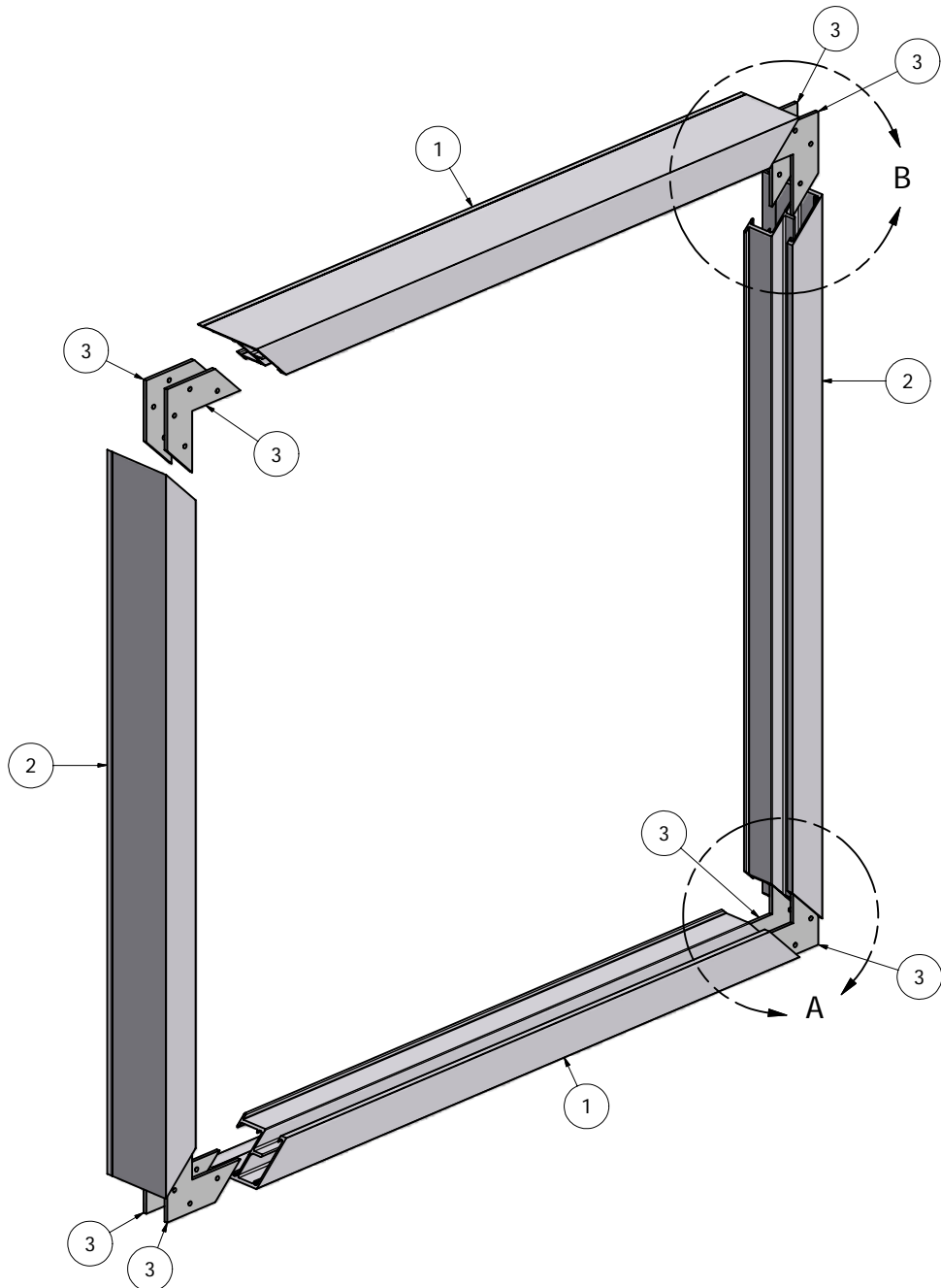
THIS DRAWING WAS CREATED AT NO CHARGE TO ASSIST YOU IN VISUALIZING OUR PROPOSAL. THE DRAWING HEREIN IS THE PROPERTY OF SIGNCOMP. PERMISSION TO COPY OR REVISE THIS DRAWING OR TO USE THIS DRAWING FOR PRODUCTION IS STRICTLY PROHIBITED AND CAN ONLY BE COPIED, REVISED OR USED FOR PRODUCTION WITH THE EXPRESSED WRITTEN PERMISSION OF SIGNCOMP.

DRAWN	Steve	12/16/2008	SignComp		
CHECKED					
QA			TITLE		
MFG			Single Face Filler - Assembly		
APPROVED			SIZE	DWG NO	REV
			C	K2034	
			SCALE	SHEET 1 OF 1	

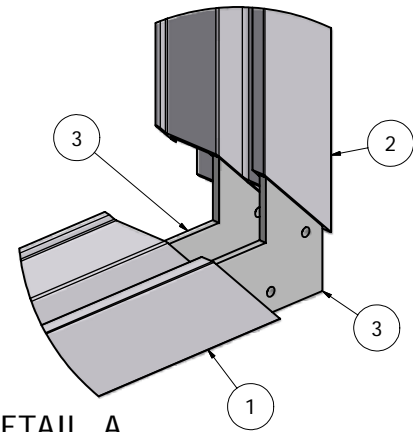
Parts List			
ITEM	PART #	DESCRIPTION	NOTES
1	2058	Extended Econo Molding	Top & Bottom
2	2058	Extended Econo Molding	Sides
3	5210	Corner Key	Pre-Punched

Ship To:

Order Number:



DETAIL B



DETAIL A

NOTE: PRE-CUT KITS ARE NOT PRE-DRILLED.

(Holes shown in this drawing are for reference only.
Drilling of pilot holes are to be done by fabricator.)

THIS DRAWING WAS CREATED AT NO CHARGE TO ASSIST YOU IN VISUALIZING OUR PROPOSAL. THE DRAWING HEREIN IS THE PROPERTY OF SIGNCOMP. PERMISSION TO COPY OR REVISE THIS DRAWING OR TO USE THIS DRAWING FOR PRODUCTION IS STRICTLY PROHIBITED AND CAN ONLY BE COPIED, REVISED OR USED FOR PRODUCTION WITH THE EXPRESSED WRITTEN PERMISSION OF SIGNCOMP.

DRAWN	12/18/2008	SignComp	
Steve			
CHECKED		TITLE	
QA		Extended Econo Molding - Assembly	
MFG		SIZE	DWG NO
APPROVED		C	K2058
		SCALE	SHEET 1 OF 1